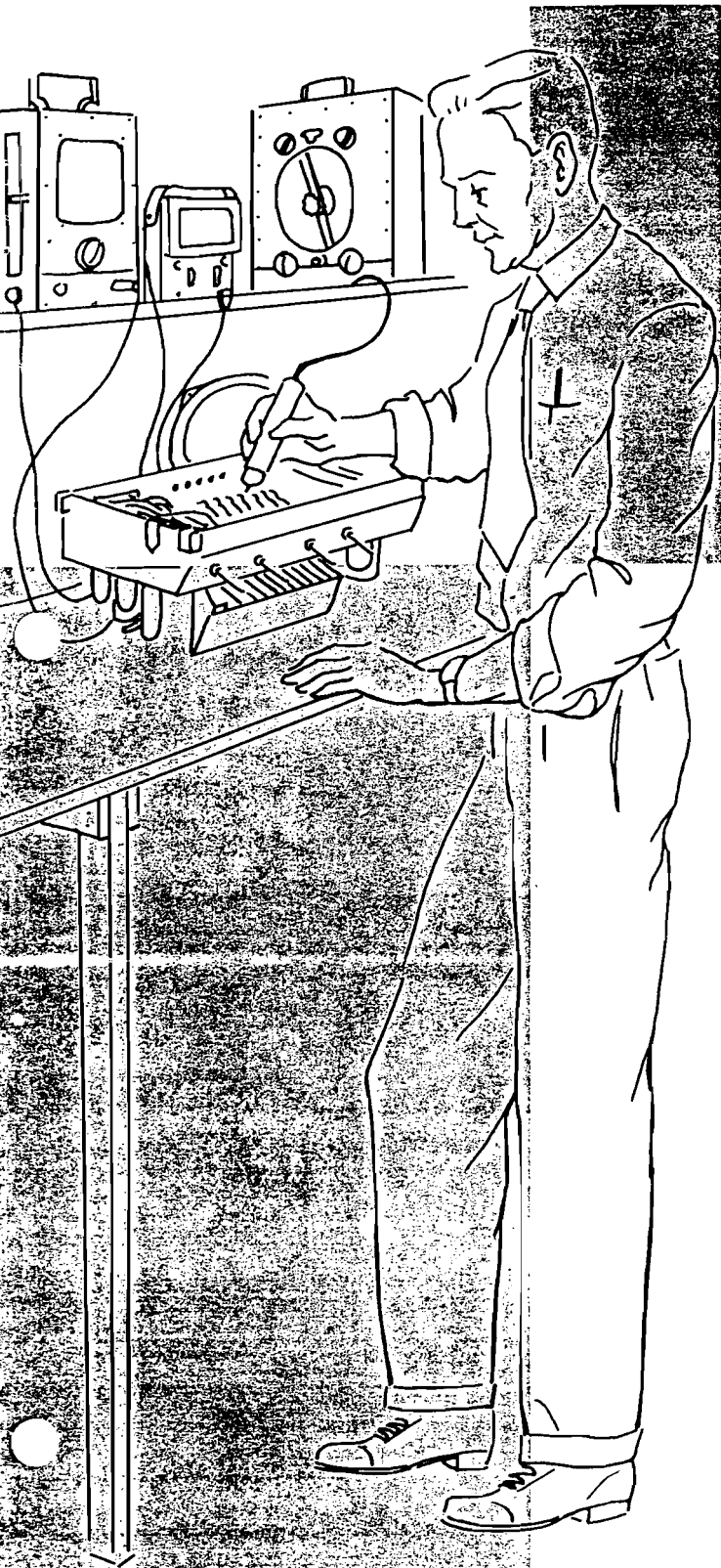


**PHILCO**

**PHILCO**  
**Factory-Supervised**  
**Service**

**SERVICE**



# TROUBLE SHOOTING TECHNIQUES



**LOCALIZE**  
**ISOLATE**  
**LOCATE**



## TABLE OF CONTENTS

	Page No.
<b>INTRODUCTION</b> .....	1
<b>BASIC PROCEDURE</b> .....	1
<b>TEST EQUIPMENT</b> .....	2
<b>Vacuum-Tube Voltmeter</b> .....	2
<b>R-F Signal Generator</b> .....	2
<b>POWER SUPPLIES</b> .....	2
<b>General Function of the Power Supply</b> .....	2
<b>Localizing Trouble to the Power Supply</b> .....	2
<b>Isolating and Locating Trouble in the Power Supply</b> .....	3
<b>AUDIO CIRCUITS</b> .....	5
<b>General Function of the Audio Circuits</b> .....	5
<b>Localizing Trouble to the Audio Circuits</b> .....	5
<b>Isolating and Locating Trouble in the Audio Circuits</b> .....	5
<b>I-F CIRCUITS</b> .....	8
<b>General Function of the I-F Circuits</b> .....	8
<b>Localizing Trouble to the I-F Circuits</b> .....	8
<b>Isolating and Locating Trouble in the I-F Circuits</b> .....	8
<b>CONVERTER (OSCILLATOR AND MIXER) CIRCUITS</b> .....	9
<b>General Function of the Converter Circuits</b> .....	9
<b>Localizing Trouble to the Converter Circuits</b> .....	9
<b>Isolating and Locating Trouble in the Converter Circuits</b> .....	10
<b>R-F AMPLIFIER CIRCUITS</b> .....	11
<b>General Function of the R-F Amplifier Circuits</b> .....	11
<b>Localizing Trouble to the R-F Circuits</b> .....	11
<b>Isolating and Locating Trouble in the R-F Circuits</b> .....	11

# TROUBLE-SHOOTING TECHNIQUES

## INTRODUCTION

This handbook is intended to familiarize the technician with a methodical procedure for trouble-shooting radio receivers primarily, but the principles can also be applied to other types of electronic equipment. This method, which is simplified and easy to use, results in faster, more efficient servicing. Personnel with limited experience will find that it enables them to trouble-shoot equipment with a minimum of time and labor.

## BASIC PROCEDURE

In order to simplify the use of schematic diagrams, certain test points have been specially marked with letter symbols.

The basic method of trouble shooting has three principal subdivisions:

1. General LOCALIZATION of trouble to a single SECTION of the radio receiver, by making checks at certain designated test points.
2. ISOLATION of the faulty CIRCUIT within that section by making checks at other test points designated in the procedure.
3. LOCATION of the defective PART within that circuit by making simple voltage and resistance measurements, and in some cases, part substitutions.

The functional sections into which the receiver is divided for trouble shooting are:

1. Power supply.
2. Audio circuits.
3. I-F, detector, and a-v-c circuits.
4. R-F and converter circuits.

Analysis by functional sections enables the technician to apply this knowledge to any particular radio. A typical block diagram of a superheterodyne radio receiver is shown in figure 1.

**NOTE:** The trouble-shooting procedure in this manual is based on the assumption that the various sections of the radio are checked in the order given, and that when a defective component is found, the trouble is cleared before proceeding.

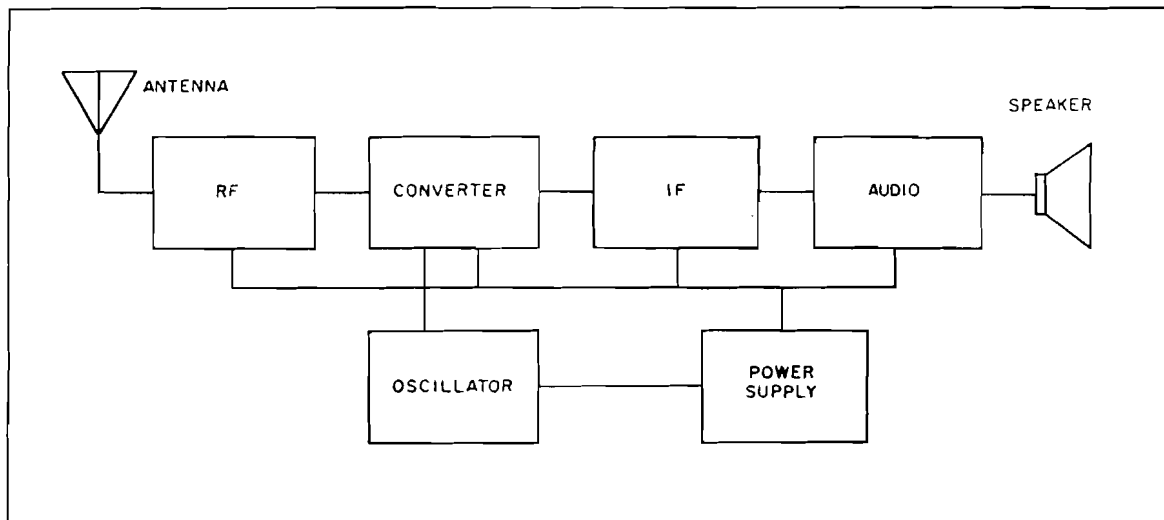
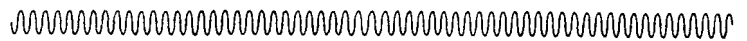


Figure 1. Block Diagram of Typical Superheterodyne Receiver

TP2-977



## TEST EQUIPMENT

For efficient radio servicing it is important that the technician be equipped with the necessary test equipment. The following equipment is desirable:

### VACUUM-TUBE VOLTMETER

A good vacuum-tube voltmeter, such as the Philco Electronic Circuit Master Model 7001, is capable of making all the measurements required in the everyday work of the serviceman. These include:

D-C voltage ranges to 1000 volts; current ranges to 100 ma. and 30 amp.

A-C voltage ranges to 1000 volts (60 to 400 cycles); current ranges to 10 amp.

Resistance ranges to 1000 megohms.

Capacitance ranges to 50,000  $\mu\mu\text{f}$  and 500  $\mu\text{f}$ .

If a vacuum-tube voltmeter is not available, a good volt-ohm-milliammeter such as the Philco Circuit Tester Model 7005, may be used for most of these measurements.

### R-F SIGNAL GENERATOR

When trouble-shooting r-f, i-f, and audio circuits, a good r-f signal generator, such as Philco Model 7070, is required. A generator of this type is capable of radio-frequency coverage from 100 kc. to 110 mc. (six bands), with a 400-cycle modulating frequency also available.

## POWER SUPPLIES

### GENERAL FUNCTION OF THE POWER SUPPLY

The power supply in a radio receiver performs the following functions:

1. Supplies the proper filament voltage to all sections.
2. Supplies the proper B-plus voltage to all sections.
3. Supplies bias voltage to some sections.
4. Provides adequate filtering when the source of supply is other than pure direct current supplied by a battery.

### LOCALIZING TROUBLE TO THE POWER SUPPLY

#### WARNING

The B-plus voltage is high enough to cause injury. When making voltage measurements, be careful not to touch live terminals.

When making resistance measurements, or when trouble shooting, turn off the power. Using a low-value resistor, and with the hand well insulated, short-circuit the filter capacitors. Failure to do this may result in damage to the test equipment.

1. A resistance measurement between B plus and B minus should be made at the output of the filter network. The resistance measured will vary with each radio, and should be in accordance with the manufac-

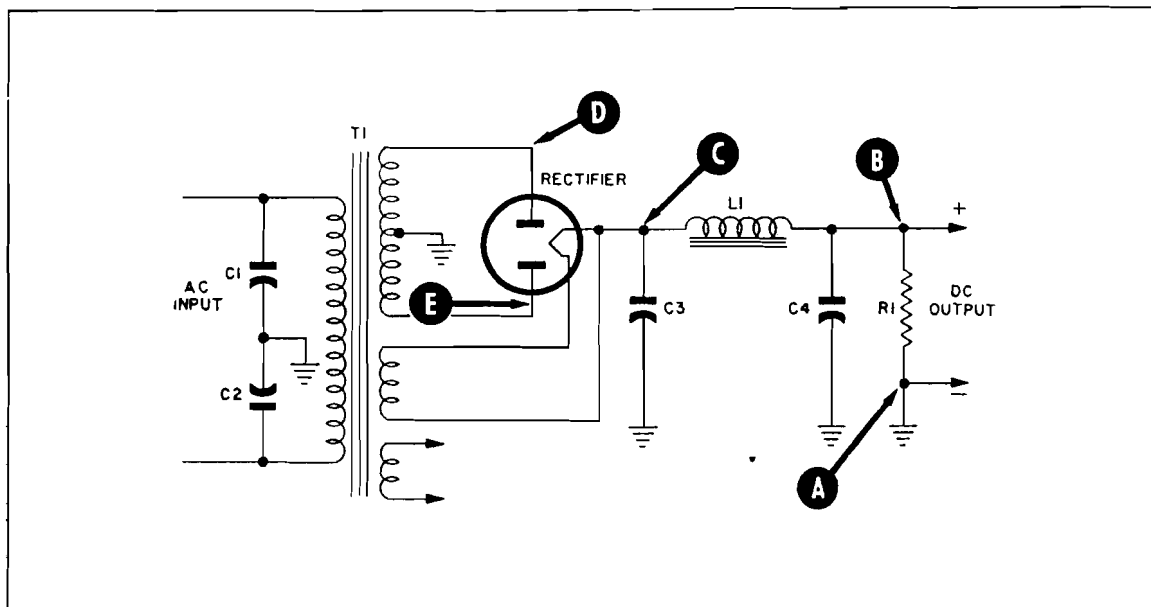


Figure 2. A-C Power Supply

TP2-978

urer's specifications. Normally this resistance will be approximately that of the bleeder resistor, or in circuits that do not have a bleeder resistor, the resistance will be approximately that of a good output filter capacitor. If the resistance is too low, check for shorts before turning the set on.

2. When the power is turned on, allow the tubes to warm up for several minutes. Listen and look for arcing, crackling noises, or unusual odors emanating from the radio. If any of these conditions exist, turn off the radio immediately and seek out the parts causing these noises or odors. If none of the above symptoms appear, check the B-plus voltage at the output of the power supply. This is done to determine whether the power supply is a source of trouble. An abnormal voltage reading at this point (as compared to the value given in the service manual for that model) indicates that there is trouble within the power supply. The next step in the trouble-shooting procedure consists of isolating the trouble to a particular circuit in the power supply.

## ISOLATING AND LOCATING TROUBLE IN THE POWER SUPPLY

### A-C Power Supplies

A typical a-c power supply is shown in figure 2. With this type of power supply the a-c line voltage is connected (through the on-off switch) to the primary of the power transformer (T1). The high voltage output of the power transformer is connected to the plates of the rectifier tube. A pulsating d.c. at the output (cathode) of the rectifier tube is then connected to the filter network. Troubles localized to the power supply can therefore be isolated by a logical sequence of voltage and resistance checks, starting at the output of the filter network and working back to the rectifier tube and the power transformer.

As shown in figure 2, the filter choke (L1) is connected to one side of the rectifier tube filament; this connection is usually made at the rectifier tube socket. The other side of L1 connects to the B-plus terminal of the power-supply output (test point B). Therefore, locating this lead in the chassis and tracing it from L1 to a terminal will locate the B-plus point in the chassis.

### CAUTION

To prevent damage, always use the highest range of the voltmeter when measuring unknown voltage values. After the approximate value is determined, disconnect the meter, select a suitable range, and then reconnect the meter.

Most troubles in power supplies are caused by a breakdown of parts in the filter circuits. Inasmuch as

the filter circuits are practically alike for all power supplies operated on a.c., the procedure for isolating and locating trouble described here should be followed.

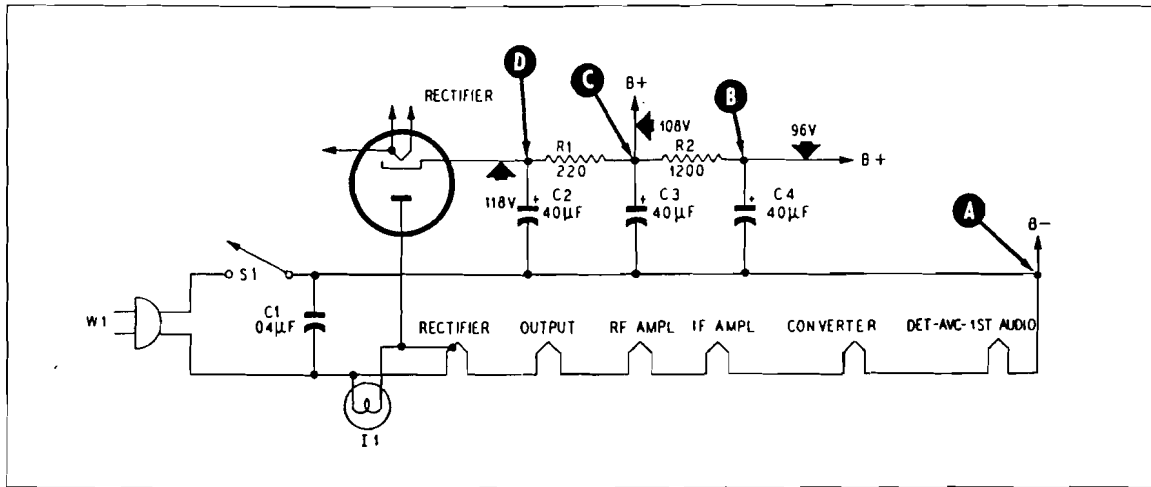
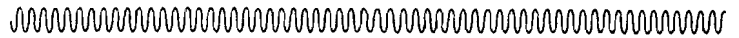
To isolate trouble in an a-c power supply, begin by measuring the voltage from test point B to B minus (test point A). Low voltage at this test point is usually the result of a leaky output filter capacitor (C4), a defective bleeder resistor (R1), or a high-resistance filter choke (L1). If there is no voltage between test point B and B minus (test point A) look for a shorted filter capacitor (C4), an open filter choke (L1) or a defective bleeder resistor (R1). Continuing through the circuit, measure the voltage between test point C and B minus (test point A). Low voltage here indicates a leaky filter capacitor (C3) or a defective rectifier tube. Absence of voltage at this test point is the result of a defective rectifier tube or a shorted filter capacitor (C3). The voltage between test point D and test point E should equal the full, a-c, high-voltage output of the power transformer (T1). Low voltage between test points D and E could be caused by a low-resistance (partially shorted) secondary winding or low a-c line voltage. Zero voltage between test points D and E indicates an open secondary winding. Check for a high resistance or open winding between test points D or E and B minus (test point A); approximately one half (depending on the location of the tap), the full a-c, rated, output voltage of the power transformer should be indicated. If a continuity check shows a normal indication for all secondary windings, check for a high-resistance primary, an open primary, or a shorted line by-pass capacitor (C1 or C2).

### WARNING

The voltage stored in filter capacitors does not always leak off when the power supply is disconnected from the supply line. To avoid shock, short-circuit all capacitors with a low-value resistor before handling components of power supply. Avoid personal contact with the live terminals.

### A-C/D-C Power Supplies

A typical a-c/d-c power supply is shown in figure 3. The a-c line voltage is connected directly to the radio tubes through the on-off switch, S1. The tube filaments, connected in series, drop the line voltage proportionally, and all tubes have the same filament-current rating. The B-voltage circuit uses one side of the a-c line as B minus (test point A). The cathode of the rectifier tube is connected directly to the input of the filter network. This filter differs from the a-c filter circuit only in the use of resistors (R1 and R2) in place of the choke.



TP2-979

Figure 3. A-C/D-C Power Supply

Comparable, relative voltages are shown in figure 3. These voltages by no means constitute actual voltages of the radio under test. For exact voltage measurements, refer to the service information provided by the manufacturer.

To isolate trouble in this type of power supply, start by measuring the voltage from test point B to B minus (test point A). Low voltage at this test point is usually an indication of a leaky filter capacitor (C4) or a defective filter resistor (R2). Absence of voltage at test point B is caused by a short circuit in filter capacitor C4 or an open circuit in filter resistor R2.

Having eliminated the possible troubles at test point B, proceed with voltage checks from test point C to B minus (test point A). Low voltage at this test point is usually caused by leaky filter capacitors (C3 or C4) or defective filter resistor (R1). If there is no voltage at

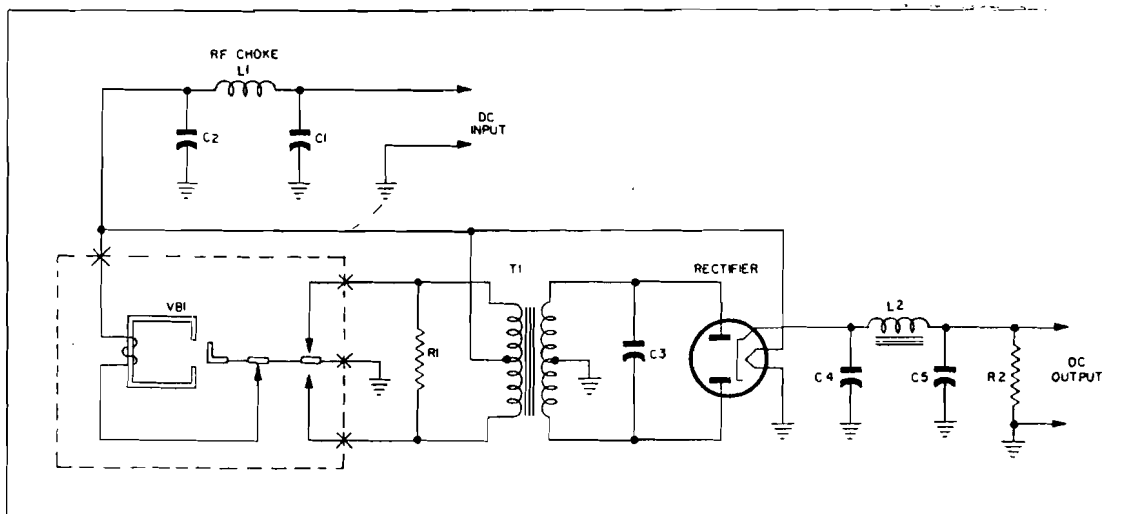
test point C, filter capacitor C3 is short-circuited or filter resistor R1 is open.

Low voltage between test point D and B minus (test point A) can be caused by a defective rectifier tube, leaky or open filter capacitor (C2), shorted filter capacitor (C3 or C4), or a shorted pilot lamp (I1). A no-voltage condition will be present when the rectifier tube is defective or filter capacitor C2 is shorted.

A defective switch (S1), line cord, or line-cord plug (W1), or a shorted line-filter capacitor (C1) should not be overlooked as possible sources of trouble.

### Vibrator Power Supplies

Vibrator power supplies contain the following major components: vibrator (VB1), power transformer (T1), rectifier, and filter networks, as shown in figure 4. The common troubles found in vibrator power supplies



TP2-980

Figure 4. Vibrator Power Supply

are complete inoperation, noise, erratic operation, and low voltage output.

Complete inoperation is usually caused by an open or short circuit, or a defective vibrator (VB1). Measuring the input voltage at the fuse terminals of the power supply will disclose an open supply line or a blown fuse. If the vibrator is operating normally, a slight buzz can usually be heard, or by gently touching the vibrator case, a slight vibration can be felt. If the vibrator is inoperative, check the components of the input filter circuits for open circuits. If the vibrator is operating, measure the a-c voltage across the secondary of the power transformer (T1), using a high scale of the a-c voltmeter. Zero, or low voltage reading at this point indicates a possible short circuit, or partial short circuit in buffer capacitor C3. The remainder of the vibrator power supply is similar to a-c power supplies.

Noise is usually caused by loose connections or loose shielding. An interference known as vibrator hash, caused by arcing of the vibrator contacts, will be quite objectionable unless all shielding contact surfaces are tight and clean, and the shielding is well grounded. Often this type of interference can be corrected by replacing the vibrator (VB1) with a new one.

Erratic operation is caused by a high-resistance or loose connections, or a defective vibrator. A systematic check of all components is necessary to locate the trouble. Often resoldering all connections to the input filter circuit will correct erratic operation. In some instances, replacing the vibrator will correct the trouble.

Low output voltage is usually caused by a partially shorted filter capacitor, a weak rectifier tube, or defective vibrator. Resistance measurements will reveal faulty filter capacitors. The vibrator (VB1) can be tested in a power supply known to be operating properly.

### Battery Power Supplies

Many radio sets use dry batteries for power. Noisy, weak, or erratic operation of the radio is usually caused by batteries which have weakened beyond their useful life.

## AUDIO CIRCUITS

### GENERAL FUNCTION OF THE AUDIO CIRCUITS

The second audio amplifier, or output amplifier, is designed to amplify the signal voltage from the first audio amplifier and to convert this voltage to audio power sufficient to drive the speaker.

The first audio amplifier tube operates as a voltage amplifier. It amplifies the output signal voltage from the detector to a level sufficient to drive the output audio amplifier.

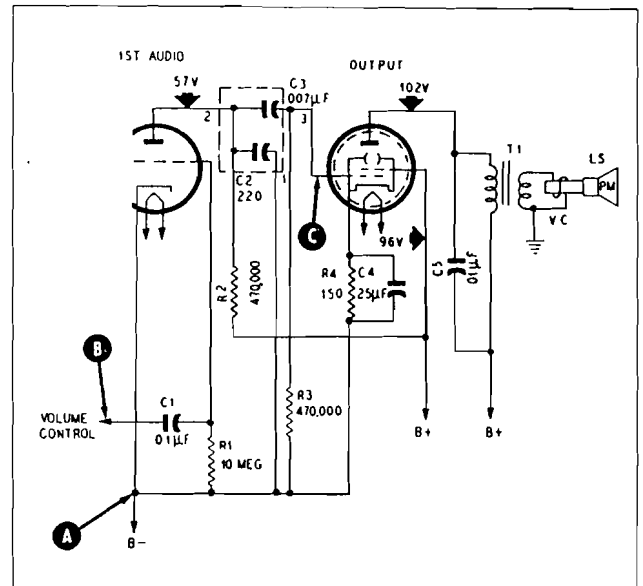


Figure 5. Typical Audio Amplifier

TP2-981

### LOCALIZING TROUBLE TO THE AUDIO CIRCUITS

**NOTE:** The checks in this section are based on the assumption that the power supply is functioning normally.

In order to determine whether the audio circuits are at fault, an audio signal generator and a vacuum-tube voltmeter or 20,000 ohms-per-volt voltmeter are required.

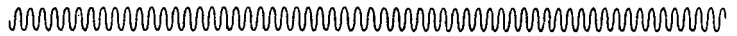
Most of the audio circuits to which the signal is supplied by the signal have high-impedance input circuits; therefore when it is desired to make tests without causing undue disturbance to these high-impedance circuits, connect a small capacitor in series with the output lead of the signal generator. Usually capacitance between 100  $\mu\text{mf.}$  and 0.001  $\mu\text{f.}$  will be found satisfactory.

The diagram in figure 5 shows the audio circuits of a typical radio receiver. The test points are indicated by the letters A, B, and C.

To determine whether the audio circuits are at fault, inject a moderate signal at the grid of the first audio tube (test point B). The normal indication at the speaker should be a loud, clear signal. If a normal indication is not obtained, the trouble may be assumed to be in the audio circuits.

### ISOLATING AND LOCATING TROUBLE IN THE AUDIO CIRCUITS

The trouble has now been LOCALIZED to the audio section of the receiver; the next step to be considered is the ISOLATION of the faulty circuit within that section.



Using an audio signal generator, inject a signal at the control grid of the audio output tube (test point C, figure 5). With a strong signal input the normal indication at the speaker should be a loud, clear signal. If this is not the case, the audio output circuit may be assumed to be at fault. If the normal indication is present, the stage may be assumed to be operating correctly, and the trouble is in the first audio amplifier circuit.

Once the faulty circuit has been ISOLATED, the next step is to LOCATE the defective part within that circuit.

### Troubles That Occur in Audio Output Circuits

**NOTE:** Before proceeding with circuit test, certain preliminary checks should be made. Carefully inspect both the top and bottom of the chassis. Make sure that all tubes are secure in the proper sockets, and look for broken or shorted connections, burned resistors, or other obvious sources of trouble.

The cathode by-pass capacitor (C4) can be a source of trouble, because of internal short circuits, open circuits, or leakage. An inherent characteristic of electrolytic capacitors, is that they tend to dry out with age, and as a result the capacitance decreases sharply. The effect on the circuit is similar to having an open capacitor.

An open cathode by-pass capacitor (C4) will cause low gain and poor frequency response. This condition can be detected by shorting the capacitor with one of similar value or larger. Immediate improvement in output proves that the original capacitor is open.

If the by-pass capacitor is paralleled as before, but no improvement in output results, the capacitor may have a bad leak or a short circuit. Because of the decrease in bias due to the short-circuited capacitor, the plate current increases and causes an abnormal voltage drop across the primary of the output transformer. The plate voltage is lowered, and the potential difference between the plate and screen is large. These symptoms can be regarded as further indications of the trouble in the by-pass capacitor. It is always wise to check the cathode resistor before replacing the capacitor, as an open resistor may have caused the breakdown of the capacitor.

The capacitor should be replaced with one of similar value. It is important that polarity be observed when installing electrolytic capacitors.

The cathode biasing resistor (R4) carries heavy current, and is consequently subject to heating which may cause it to change in value or open-circuit.

If the resistor changes in value the tone quality will be affected.

An open cathode resistor renders the output stage practically inoperative so far as normal signal amplification is concerned. However, if a strong signal is

fed into the grid circuit of this stage, some signal output will be obtained. The signal will not be constant and definitely will be distorted. It will sound choked.

D-C voltage measurements will indicate that the plate voltage, the screen voltage, and the cathode voltage are higher than normal with respect to B minus.

Resistance measurements will be normal from plate to B minus and from screen to B minus, but the resistance of the cathode will be equal to the leakage resistance of the cathode capacitor. Since this leakage resistance is many times greater than the normal value of the cathode resistor, this check is a positive means of verifying the failure of the cathode resistor.

Hum or badly distorted signals at the speaker may be caused by an open grid resistor (R3). An open circuit here removes the bias, from the tube, and causes the plate to draw heavy current. The result is an abnormal voltage drop across the primary winding of the output transformer, and consequently a lower voltage at the plate. The screen voltage remains practically unaffected; therefore the difference of potential between the screen and plate will be large, affording another clue to this type of trouble.

A 20-percent margin of error is allowed when replacing this resistor, although the ideal replacement would be one of like value.

Breakdowns in the tone compensating capacitor (C5) sometimes occur, because of the high, a-c, signal voltages to which it is subjected, and the high d-c potential established if one side of this capacitor is grounded. Because of the high voltages the dielectric breaks down, and the capacitor is short-circuited. Because of its position in the receiver circuit, the defective capacitor short-circuits the output transformer (T1), and the result is a dead set. An open tone compensation capacitor is difficult to detect, because of the fact that the only appreciable effect is an increased high-frequency response.

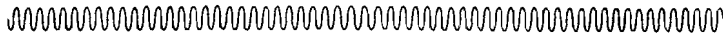
When replacing this capacitor, use one of exactly the same value and breakdown rating, as any change in its value will directly affect the frequency response of the receiver.

The most common trouble associated with the output transformer (T1) is that of an open primary. This winding is subjected to the same high d-c voltage and a-c signal voltage as are applied to the tone compensation capacitor. If the plate circuit opens, the screen grid, which is operating at a positive potential, will attract the full cathode emission. This element is not designed to carry this heavy current and consequently will glow bright red. This symptom can be used as a guide in determining that the plate circuit is open.

When replacing the output transformer select one of exactly the same rating. If this is not available a universal type may be substituted.

One of the causes of trouble in the audio output





stage that is most overlooked is that of a defective speaker (LS1). An open voice coil will result in a dead speaker. Therefore it is wise to test the speaker by continuity check or by substitution. If the speaker produces an erratic buzz, look for iron filings or other foreign particles lodged in the air gap.

When replacing the speaker, select one of like rating in order to obtain a proper impedance match.

A common source of trouble in the audio output stage is the tube itself. The trouble may result from low emission, which directly affects the gain and power handling capacity of the tube. Loose or shorted elements may cause the tube to be noisy. The most effective means of checking this trouble is by tube substitution.

### Troubles That Occur in Audio-Amplifier Circuits

If plate load resistor (R2) is open, B plus potential is removed from the plate of the audio tube, stopping current flow through the entire plate circuit. Carbon (composition) resistors are generally used in high-resistance, low-current circuits of this type. Aging, and overheating by excessive currents may cause them to open. Since the resistor is removed from the plate, trouble symptoms are: extremely high resistance between plate and ground, normal resistance between cathode and ground, and extremely high resistance between plate and B plus.

A short-circuited plate load resistor can be detected in several ways. The short-circuit eliminates the voltage drop across the resistor, and this can be observed on the voltmeter. The increased potential on the plate causes greater current flow through the circuit, and hence increased IR drop across the cathode resistor. This too can be detected by the voltmeter. Since the plate resistor is short-circuited, the resistance between plate and ground is about equal to the bleeder resistance of the power supply; between cathode and ground it is normal; and between plate and B plus it is zero.

Carbon resistors themselves do not usually short-circuit, although certain types sometimes drop in resistance value.

A short-circuit between the audio tube plate and ground places the plate of the tube at ground potential, causing tube current to stop flowing. Since it is connected to B plus, there is a large IR drop across the plate load resistor, due to the greatly increased current through it. A voltage check will confirm this fault. Since the plate is shorted to ground, the resistance between plate and ground is zero; between cathode and ground it is normal.

This trouble is usually caused by a short-circuited r-f by-pass capacitor (C2, figure 5), a small mica capacitor shunted across the output circuit of the first audio tube to by-pass to ground any stray r-f or i-f cur-

rents not completely removed from the audio signal by preceding filters.

When cathode biasing is employed, it should be noted that a short-circuited by-pass capacitor between plate and cathode would produce somewhat different effects from those occurring when the plate is grounded. In this case heavy current would pass through the cathode resistor, producing a large voltage drop across this part. This method of by-passing is not illustrated in the circuit of figure 5, but as this plate-to-cathode connection is often used for by-pass capacitors instead of the plate-to-ground connection, the distinction in the effects produced should be thoroughly understood.

Sometimes the plate is grounded by accidental contact of the plate lead of the by-pass capacitor with the chassis or some grounded object.

Since every trouble mentioned in this description results in no output from the first audio tube, there is no signal from the loud speaker.

The input coupling capacitor (C1) is not a frequent cause of trouble. However, it may open, rendering the circuit inoperative by removing the signal to the grid of the first audio tube.

This capacitor can be easily tested by injecting an audio signal at the grid of the first audio tube; if the normal indication is present at the loudspeaker, the circuit is operating correctly. If the normal indication is not present when the signal is next injected at the volume control the input coupler can be assumed to be defective.

When replacing, use a capacitor of like value and rating. Place it in the same position as the defective component and use care in dressing the leads. Lead dress in this location is important, because any hum picked up as a result of misplaced leads will be amplified through the entire amplifier circuit.

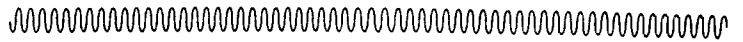
The output coupling capacitor (C3) is frequently a cause of trouble. If it opens the result is a dead receiver because the signal is no longer coupled from the first a-f tube to the grid of the second a-f tube.

If it becomes short-circuited, tone quality will be seriously affected. This is due to the fact that positive voltage from the first a-f plate is connected through the defective component to the grid of the output tube, causing variations in grid voltage which produce distortion.

An open grid load resistor (R1) removes the bias from the first a-f tube and causes motorboating or hum. This condition is similar to that which was described for the grid load resistor in the audio output stage.

When replacing this resistor choose one of exactly the same resistance, because any change in value of this part will have a direct effect on grid bias, and will probably result in poor tone.

The first a-f tube is often a source of trouble. Such effects as hum, intermittent operation, noise, poor



reception, or dead receiver may be caused by it. Some of the causes of trouble may not even be detected by a tube checker; the only practical way to check this tube is to replace it with one known to be good. If the trouble persists, it can be assumed that the original tube was not at fault.

## I-F CIRCUITS

### GENERAL FUNCTION OF THE I-F CIRCUITS

The intermediate frequency (i-f) section or stage of the radio performs the following functions:

1. Amplifies the modulated difference frequency resulting from the mixing of the local-oscillator output with the incoming radio frequency (r.f.).
2. Couples the combined, audio-modulated, i-f signal to the detector, where the i-f portion is filtered out, allowing only the detected audio component to pass through to the first audio amplifier.
3. Provides additional selectivity.

### LOCALIZING TROUBLE TO THE I-F CIRCUITS

**NOTE:** The checks in this section are based on the assumption that the power supply and the audio circuits are functioning normally.

To either localize or eliminate the i-f section as a source of trouble, inject a modulated signal at the plate of the converter tube (between test point A and test

point C, figure 6); use a reliable signal generator tuned to the intermediate frequency of the receiver. If a clear modulated note is heard at the loud speaker, the i-f section is in normal working order. An abnormal indication at this point indicates trouble within the i-f circuits, which can be isolated in the following paragraphs.

### ISOLATING AND LOCATING TROUBLE IN THE I-F CIRCUITS

A typical i-f circuit is shown in figure 6; the three major parts with their associated components are the input i-f transformer (Z1), the i-f amplifier tube, and the output i-f transformer (Z2).

### Troubles That Occur in I-F Circuits

The function of the output i-f transformer is to couple the output signal from the i-f amplifier tube to the second detector. If a modulated signal at the intermediate frequency is applied to the grid of the i-f amplifier tube (between test points A and B) a clear modulated note should be heard at the loudspeaker. If the signal does not pass through, check the following component parts of the output i-f section:

1. Check the i-f amplifier tube; a similar tube of known quality may be substituted.
2. Check for a misaligned output i-f transformer by injecting the i-f test signal at the grid (test point B) of the i-f amplifier tube. With the aid of an output meter connected from the plate of the second audio-

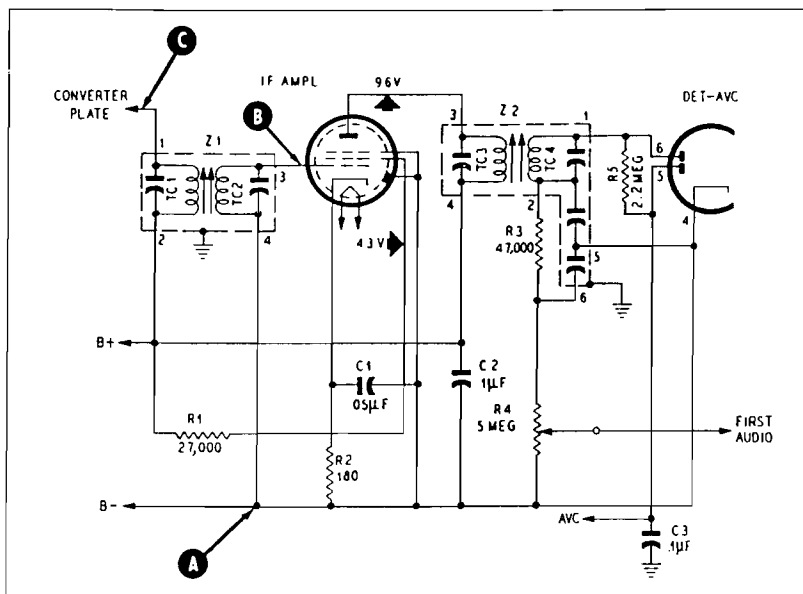


Figure 6. Typical I-F Amplifier

TP2-982



frequency amplifier tube to B minus, adjust TC4 and TC3 (located on Z2) for maximum output. When aligning a section or stage, the r-f circuits leading back to the antenna should be made inoperative. This is best done by grounding the oscillator stator of the tuning gang. If aligning the stage does not cure the trouble, check for a defective i-f transformer (Z2).

3. Check for a defective circuit component associated with the output tube and output i-f transformer (Z2), such as a defective cathode resistor (R2), or a shorted cathode capacitor (C1). Lack of B-plus voltage at the plate and screen of the i-f amplifier tube can be traced to a short-circuited B-plus by-pass condenser (C2). Abnormal voltage at the screen of the i-f amplifier tube can be traced to a defective screen dropping resistor (R1). If there is B-plus voltage at the screen, but not at the plate, of the i-f amplifier tube, check for an open primary coil (TC3) in the output i-f transformer (Z2). The i-f filter resistor (R3) and the volume control (R4) are actually part of a voltage divider. An increase in resistance of R3 will proportionally decrease the output voltage to the detector. If the filter resistor (R3) is open, there will be no voltage output to the grid of the first audio amplifier.

**Troubles That Occur in Detector and A-V-C Circuits**

The detector circuit consists essentially of a tuned circuit, a voltage divider, and a half-wave rectifier.

The tuned circuit is the output section of Z2, and is tuned to the intermediate frequency, usually 455 kc. In series with the tuned circuit is the voltage divider; this includes the i-f filter resistor (R3) and the detector load resistor, which is also the volume control (R4). The low side of the latter is at B minus, as is the cathode of the half-wave rectifier tube. Conduction through the tube from the cathode (pin 4) to the diode plate (pin 6) completes the circuit.

Trouble in this circuit can be isolated and located by substitution of the detector tube, resistance measurements of R3 and R4, and a continuity check between terminals 1 and 2 of Z2. A resistance check between terminals 2 and 5, and terminals 5 and 6 of Z2 will determine whether an i-f filter capacitor is short-circuited.

The a-v-c voltage is developed across resistors R3 and R4 and is present at the other diode plate (pin 5) of the combined detector-avc tube. The a-v-c voltage is negative, and is fed to the r-f stages. The i-f is filtered out to B minus through the a-v-c filter capacitor (C3). If C3 becomes shorted, a-v-c voltage disappears, but if the capacitor is open-circuited spurious signals will appear in the audio output because of the i-f component feeding back to the r-f stages. If the a-v-c filter resistor

(R5) is open no a-v-c voltage will be developed, because the voltage divider is no longer complete.

The input i-f transformer is also tuned to the intermediate frequency of the particular receiver. The function of the input i-f transformer is to couple the signal from the converter plate to the grid of the i-f amplifier tube. Having eliminated all possible sources of trouble in the i-f amplifier tube and the output i-f transformer, the only remaining check to make is a continuity check of the input i-f transformer.

**CONVERTER (OSCILLATOR AND MIXER) CIRCUITS**

**GENERAL FUNCTION OF CONVERTER CIRCUITS**

The function of the converter is to supply an unmodulated r-f signal of a fixed amplitude and of a frequency different from (and usually higher than) the incoming broadcast signal by exactly the amount of the intermediate frequency. It also beats the r-f input signal against the signal of the oscillator stage to produce the intermediate-frequency signal.

**LOCALIZING TROUBLE TO THE CONVERTER CIRCUITS**

NOTE: The checks in this section are based on the assumption that the power supply, audio, i-f, detector, and a-v-c circuits are functioning normally.

The circuit diagram of a typical converter is shown in figure 7. The test points are indicated by the letters A, B, and C.

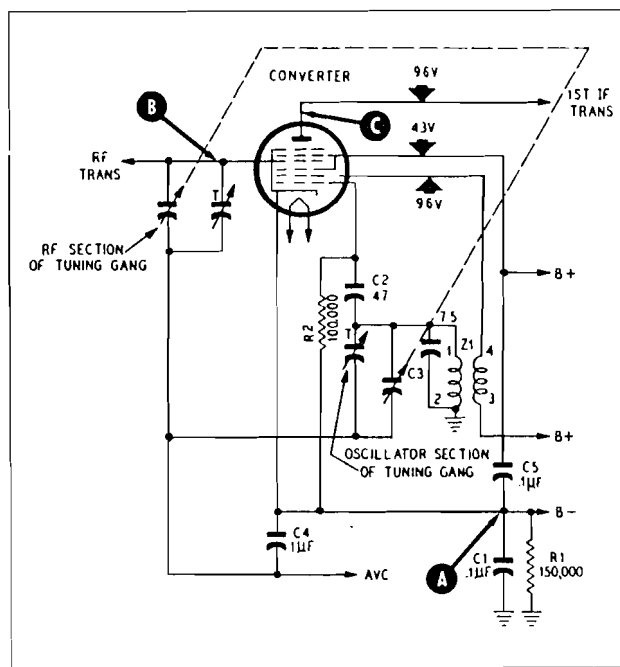


Figure 7. Typical Converter

TP2-983

